

## Compact laser diode LDWS-980-200.1

### Features

Wavelength 980nm  
Power 200mW  
CW  
Built-in PD  
TO18 package



### Applications

Medical laser treatment  
Laser indicator  
Laser detector

Items	Symbols	Values	Unit
Reverse voltage	$V_r$	2.0	V
Operating temperature	$T_{op}$	-10~+40	°C
Storage temperature	$T_{stg}$	-15~+80	°C
Lead soldering temperature (10sec.)	$T_{is}$	260	°C

Specifications			
Items	Min.	Typ.	Max.
Center Wavelength @ 25°C	±3nm	980nm	±10nm
Spectral Width (FWHM)	-	3.0nm	-
Output Power	-	200mW	-
Emitter	-	Single	-
Beam Divergence (FWHM)	-	32° x7° <sub>//</sub>	-
Temperature Coefficient of Wavelength	-	0.3nm/°C	-
Slope Efficiency	-	0.7mW/mA	-
Threshold Current (Typ.)	-	55mA	85mA
Operating Current (Typ.)	-	360mA	400mA
Operating Voltage	-	1.6V	2.2V

[www.lascompany.ru](http://www.lascompany.ru)

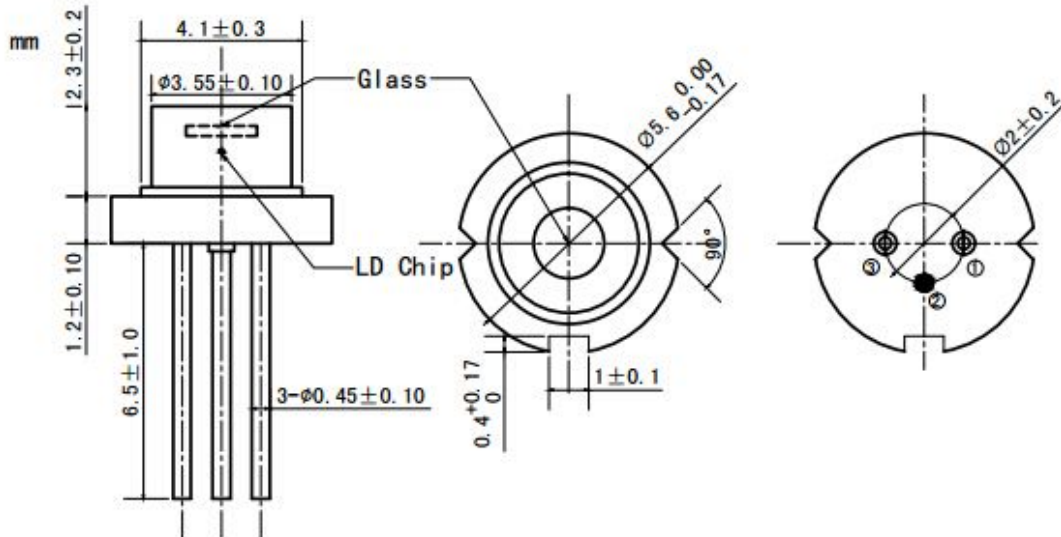
[info@lascompany.ru](mailto:info@lascompany.ru)

/ : +7(812)448-08-13

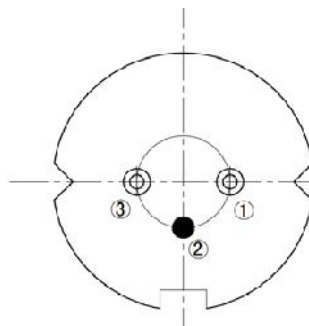
. -

**Compact laser diode LDWS-980-200.1**

**TO18 (5.6mm) Package View**



**PIN Bottom View**



1	LD(-)
2	LD(+) & PD(-)
3	PD(+)

Electrically shorten LD module and store in non-extreme conditions.  
Suggest using the constant current power supply.

